

# • GXA-H Large Series



Table Diameter

500-800 MM 19.5-31.5 inch





## Model's

- GXA-500H
- GXA-630H
- GXA-800H



Ultra-High Clamping force (hydraulic)  
 Unified spindle with radial-axial bearing  
 Increased thru-hole, allowing for more complex part clamping and fixtures  
 Dual lead worm drive, resulting in higher efficiency and lower backlash

## Specifications

Worktable diameter	mm / inch	Ø500 / Ø19.69	Ø630 / Ø24.80	Ø800 / Ø31.50	
Center bore diameter	mm / inch	Ø180H7 / Ø7.09H7	Ø270H7 / Ø10.63H7	Ø285H7 / Ø11.22H7	
Through-bore diameter	mm / inch	Ø140 / Ø 5.51	Ø220 / Ø8.66	Ø240 / Ø9.45	
Height of table (horizontal)	mm / inch	280 / 11.02	325 / 12.80	365 / 14.37	
Height of center (vertical)	mm / inch	310 / 12.20	400 / 15.75	480 / 18.90	
Width of T-slot	mm / inch	18H7 / 0.71H7	18H7 / 0.71H7	22H7 / 0.47H7	
Width of guide block	mm / inch	18 / 0.71	18 / 0.71	18 / 0.71	
Clamping method / pressure	Mpa / psi	Hydraulic 5 / 725	Hydraulic 5 / 725	Hydraulic 3.5 / 507.5	
Clamping torque	Nm / ft. lbs.	3200 / 2358.4	4500 / 3316.5	5200 / 3832.4	
<b>Servo motor spec</b>					
Transmission ratio		1 / 180	1 / 180	1 / 180	
Max. table speed	min <sup>-1</sup>	11.1	11.1	11.1	
Allowable loading inertia ( $\frac{W \cdot D^2}{8}$ )	Kg.m <sup>2</sup>	19.1	40.5	122.4	
Resolution	deg.	0.001	0.001	0.001	
Indexing accuracy	sec.	15	15	15	
Repeatability	sec.	6	6	6	
Net weight (servo motor excluded)	Kg / lb	395 / 869.0	720 / 1584.0	1236 / 2719.2	
Allowable loading capacity	Vertical	Kg / lb	250 / 550	450 / 990	800 / 1760
	Horizontal	Kg / lb	600 / 1320	800 / 1760	1500 / 3300
	Tailstock applied	Kg / lb	600 / 1320	800 / 1760	1500 / 3300
Allowable load (when table clamped)		N / lbs	40000 / 8976.0	49000 / 10780	50000 / 11000
		Nm / ft. lbs.	5000 / 3685.0	8500 / 6264.50	10000 / 7370.0
		Nm / ft. lbs.	3200 / 2358.4	4500 / 3316.5	5200 / 3832.4
Allowable cutting torque		Nm / ft. lbs.	2500 / 1842.5	4300 / 3169.1	5000 / 3685.0

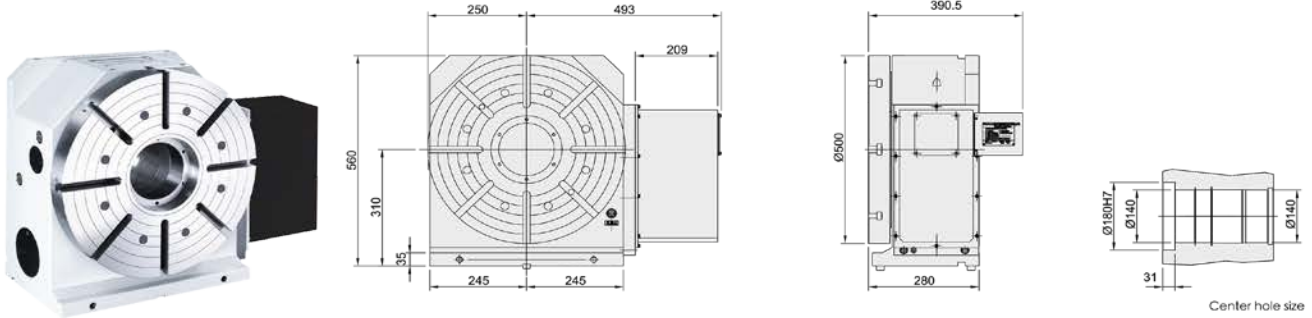
Note: Allowable cutting torque at table speed of 1 min<sup>-1</sup>.

# GXA-H Large series

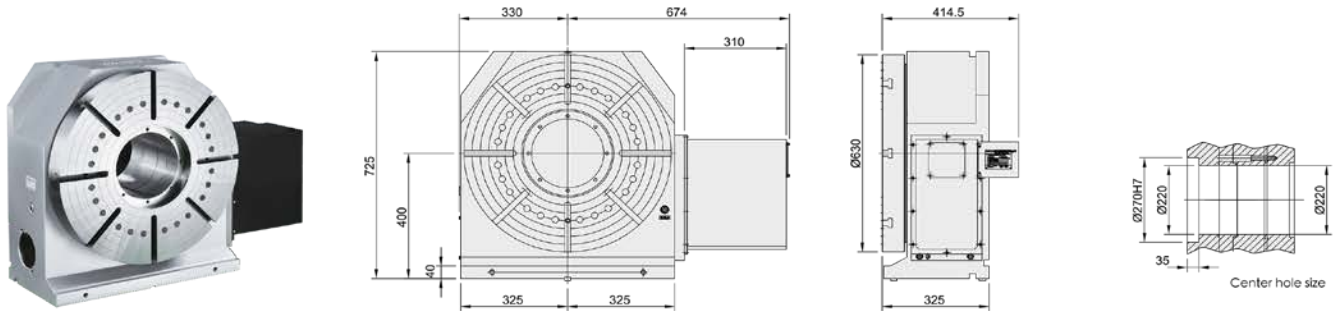
## DIMENSIONAL DRAWINGS

### GX-500H

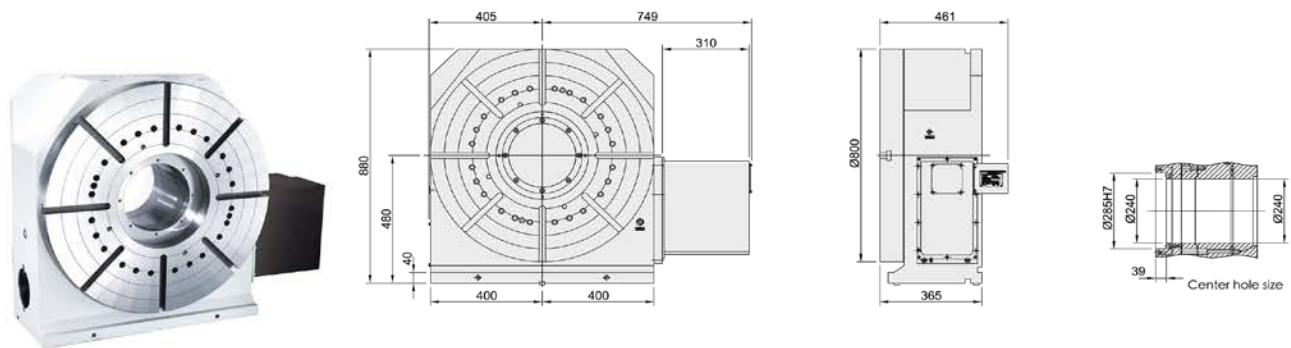
Unit : mm



### GX-630H



### GX-800H



Note: 1. The length of servo guard may vary with servo motor type. (metal sheet dimensions shown above are based on Fanuc motor)