

# • GXA-H Series



Table Diameter

255-400 MM 10-15.75 inch


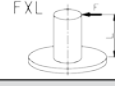
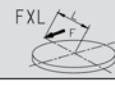



## Model's

- GXA-255H
- GXA-320H
- GXA-400H

Ultra-High clamping force (hydraulic)  
 Unified spindle with radial-axial bearing  
 Increased thru-hole, allowing for more complex part clamping and fixtures  
 Dual lead worm drive, resulting in higher efficiency and lower backlash

## Specifications

Worktable diameter	mm / inch	Ø255 / Ø 10.04	Ø320 / Ø 12.6	Ø400 / Ø 15.75	
Center bore diameter	mm / inch	Ø140H7 / Ø 5.51H7	Ø180H7 / Ø 7.08H7	Ø220H7 / Ø 8.66H7	
Through-bore diameter	mm / inch	Ø100 / Ø 3.94	Ø140 / Ø 5.51	Ø180 / Ø 7.09	
Height of table (horizontal)	mm / inch	210 / 8.27	235 / 9.25	255 / 10.04	
Height of center (vertical)	mm / inch	190 / 7.48	210 / 8.27	255 / 10.04	
Width of T-slot	mm / inch	12H7 / 0.47H7	14H7 / 0.55H7	14H7 / 0.55H7	
Width of guide block	mm / inch	18 / 0.71	18 / 0.71	18 / 0.71	
Clamping method / pressure	Mpa / psi	Hydraulic 5 / 725	Hydraulic 5 / 725	Hydraulic 5 / 725	
Clamping torque	Nm / ft. lbs.	900 / 663.3	1600 / 1179.2	3000 / 2211	
<b>Servo motor type</b>					
Transmission ratio		1 / 120	1 / 120	1 / 144	
Max. table speed	min <sup>-1</sup>	22.2	22.2	11.1	
Standard loading inertia *	Kg.m <sup>2</sup>	2.43	5.12	10.2	
Maximum loading inertia *	Kg.m <sup>2</sup>	12	20	40	
Resolution <sup>(<math>\frac{W.D^2}{8}</math>)</sup>	deg.	0.001	0.001	0.001	
Indexing accuracy	sec.	15	15	15	
Repeatability	sec.	6	6	6	
Net weight (servo motor excluded)	kg / lb	114 / 251	147 / 323.4	253 / 556.6	
Allowable loading capacity	Vertical	kg / lb	150 / 330	200 / 440	250 / 550
	Horizontal	kg / lb	300 / 660	400 / 880	500 / 1100
	Tailstock applied	kg / lb	300 / 660	400 / 880	500 / 1100
Allowable load (when table clamped)		N / lbs	20000 / 4488	28000 / 6283.2	38000 / 8527.20
		Nm / ft. lbs.	1700 / 1252.9	3000 / 2211	5400 / 3979.8
		Nm / ft. lbs.	900 / 663.3	1600 / 1179.2	3000 / 2211
Allowable cutting torque		Nm / ft. lbs.	550 / 405.35	780 / 574.86	1700 / 1252.9

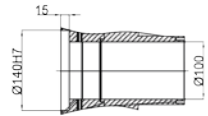
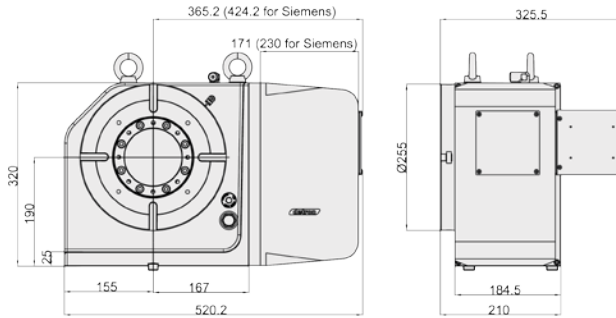
Note: 1. Allowable cutting torque at table speed of 1 min<sup>-1</sup>.

# GXA-H series

## Dimension

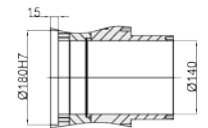
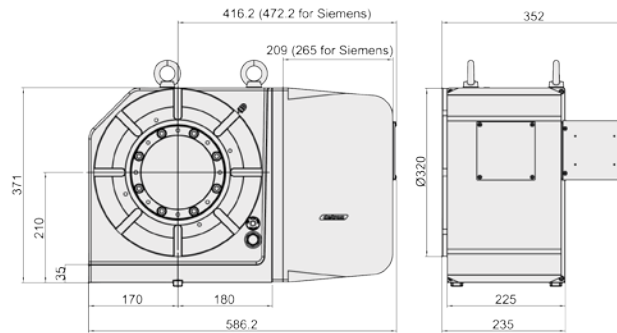
Unit : mm

### GXA-255H



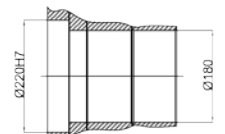
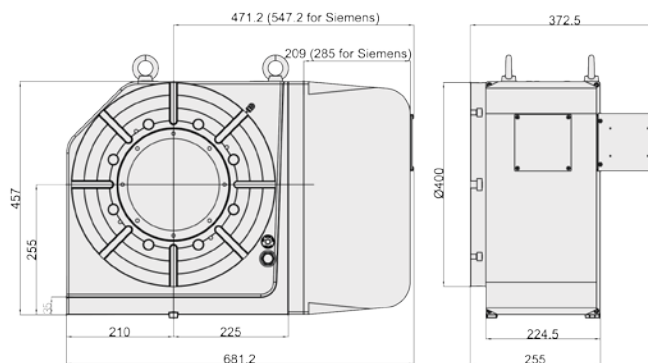
Through-hole Diameter

### GXA-320H



Through-hole Diameter

### GXA-400H



Through-hole Diameter

Note: 1. The length of servo guard may vary with servo motor type. (metal sheet dimensions shown above are based on Fanuc motor)